

PUMPER BODY

Long Aluminum 2nd Gen Pumper

CHASSIS

Sober FR Chassis

CHASSIS AXLE, FRONT, CUSTOM

20,000 Lb Dana Axle

AXLE, REAR

31,000 Lb Dana Axle

ENGINE

510 HP Paccar MX13 Engine

TRANSMISSION

Allison 6th Gen, 4000 EVS P

BUMPER

19" Extended Stainless Steel

CAB

7010 Sober FR Cab

A A A A I

1000 Gallon Poly Tank

A A A I

980 Gallons of Water

A

20 Gallon Foam Cell

A

44.50" FF Rollup Rear Compt

I

161" Rollup Full Height & Depth Front & Rear

I H I

161" Rollup Full Height & Depth Front & Rear BIB

I H I

45" Control Zone Side Mount

1500 GPM Waterous CSU

A

(2) 1.50" Standard Capacity

A

2.50" Crosslay Not Required

A

SpeedLays Not Required

A

Generator Not Required

A

Husky 3 Single Agent Foam System

A

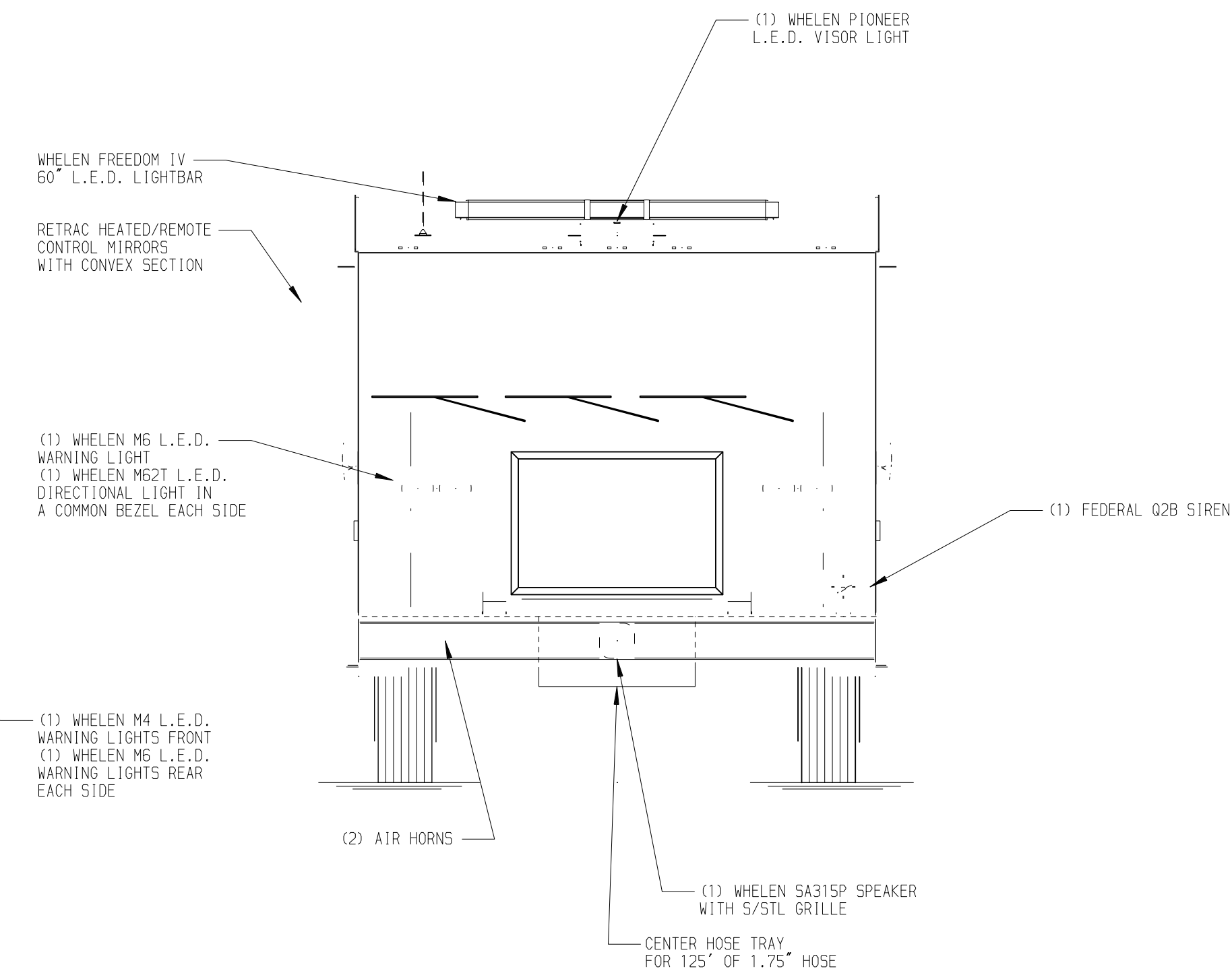
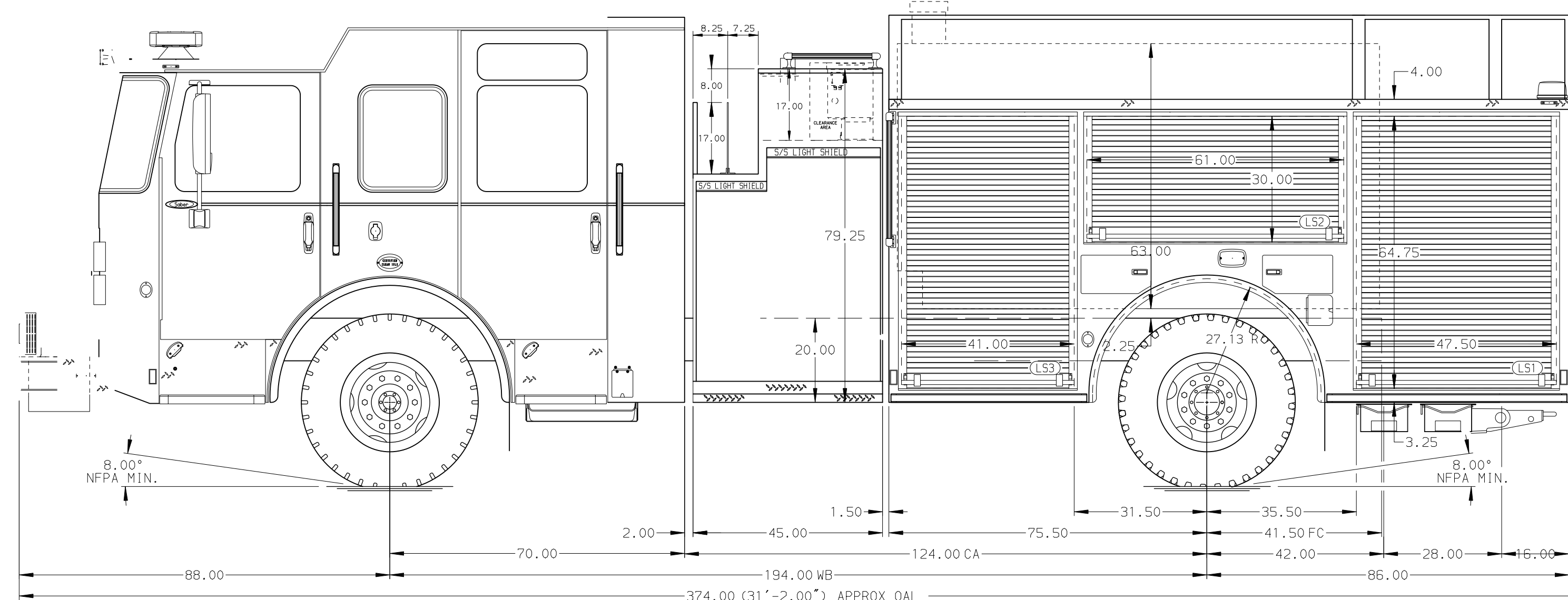
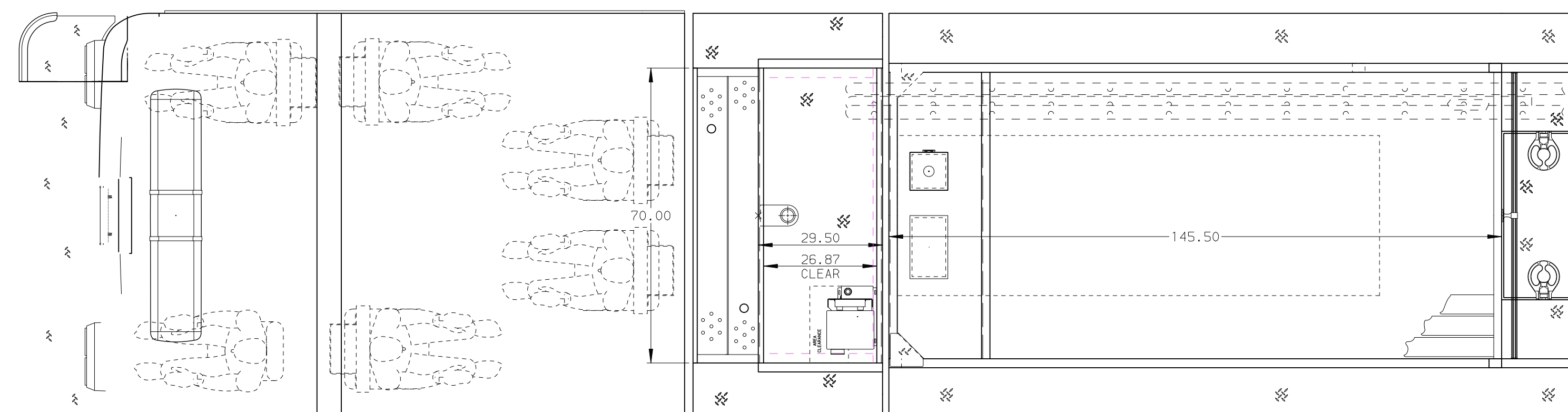
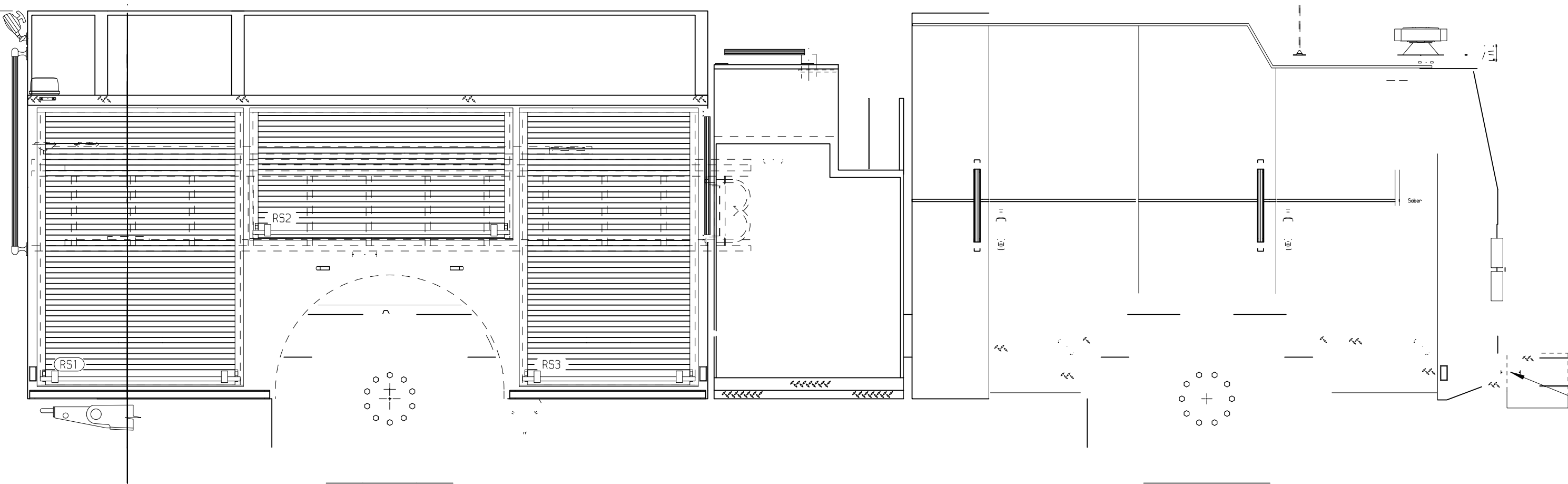
1 F I 1

NOTE

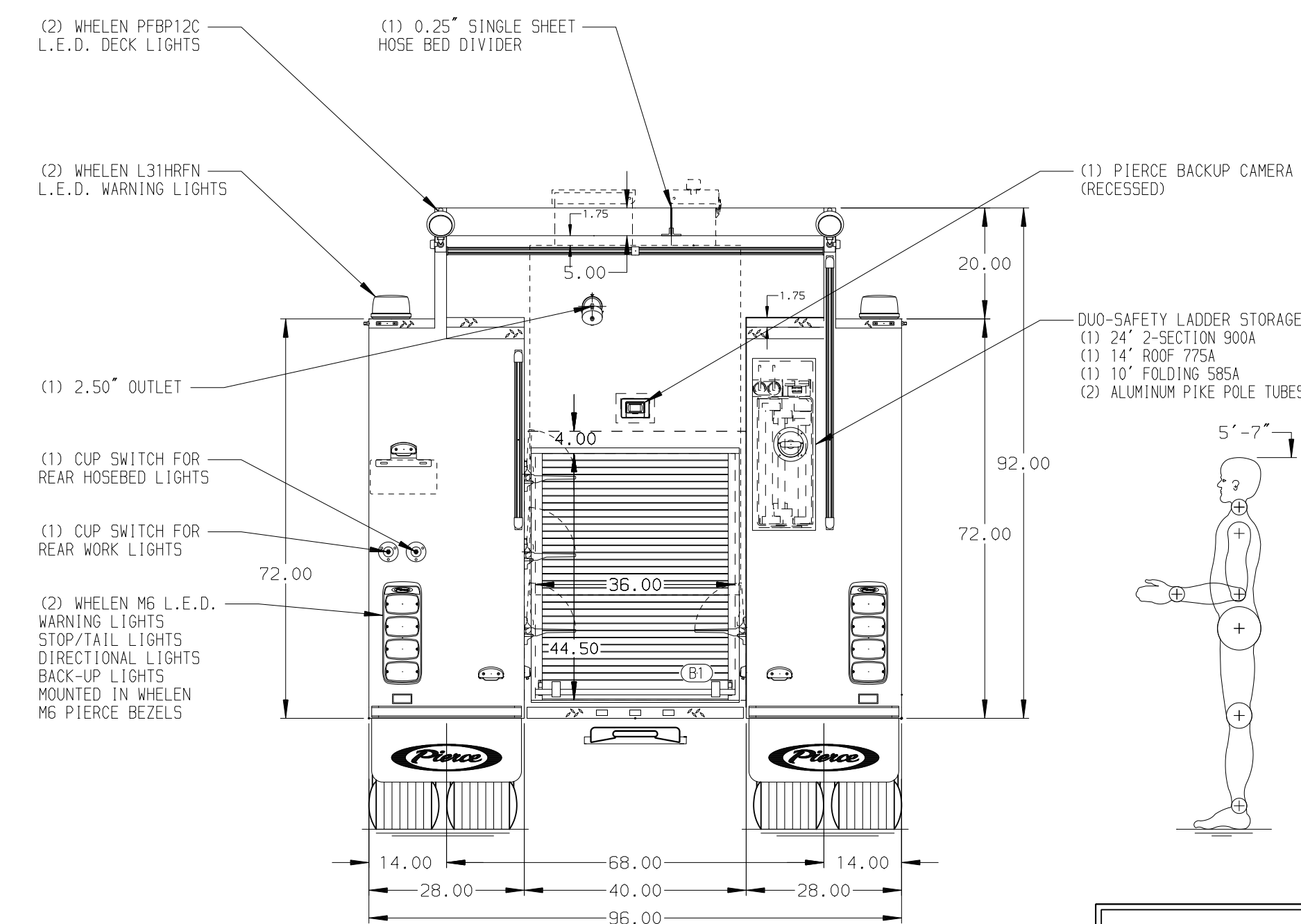
DIMENSIONS SHOWN ARE APPROXIMATE AND ARE SUBJECT TO MINOR DEVIATIONS AS MAY OCCUR OR BE NECESSARY IN CONSTRUCTION. MINOR DETAILS NOT SHOWN.

- ONE 1.50" OUTLET WITH 2.00" PIPING AND SWIVEL LOCATED IN CENTER BUMPER TRAY
- SHORELINE RECEPTACLE WITH KUSSMAUL SUPER AUTO-EJECT LOCATED ON DRIVER SIDE OF THE CAB
- AIR INLET WITH DISCONNECT COUPLING IN THE DRIVER SIDE STEPWELL
- BATTERY CHARGER LOCATED PER ORDER
- BATTERY CHARGE INDICATOR LOCATED ON DRIVER SEAT RISER
- ADJUSTABLE SHELVES LOCATED PER ORDER
- ONE FLOOR MOUNTED SLIDE-OUT TRAY LOCATED PER ORDER

116.00
(9'-8.00")
APPROX
OAH



HOSEBED CAPACITY	
BED 1	1000' OF 5.00" D.J. POLY HOSE
BED 2	1000' OF 3.00" D.J. POLY HOSE



CUSTOMER APPROVAL

APPROVED BY: _____
DATE: _____

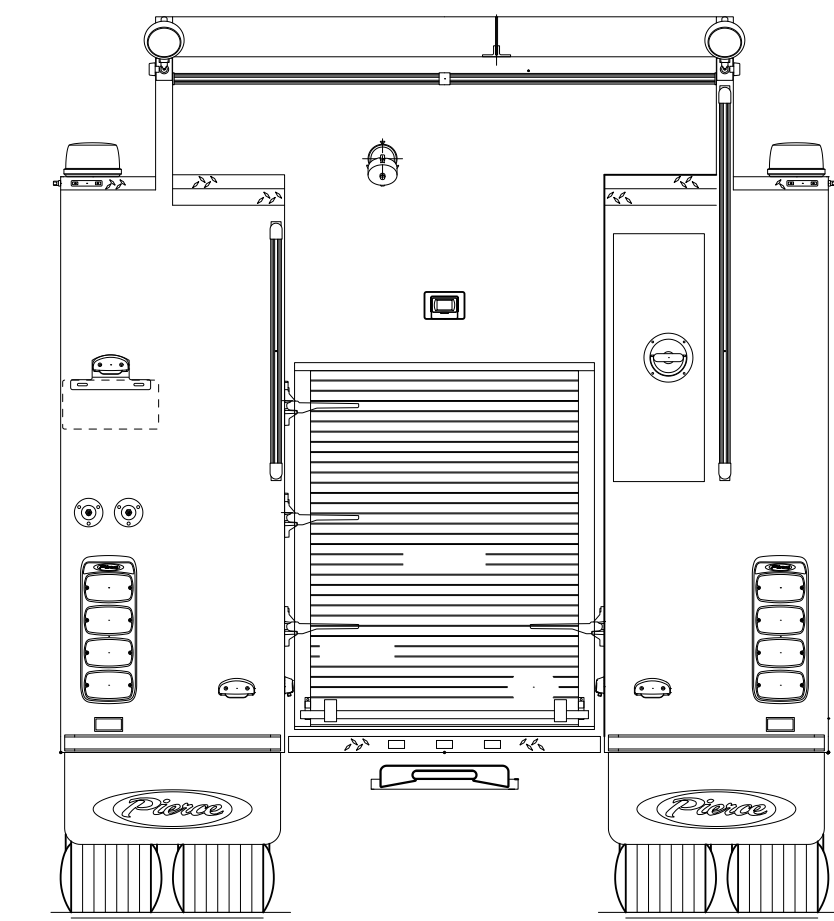
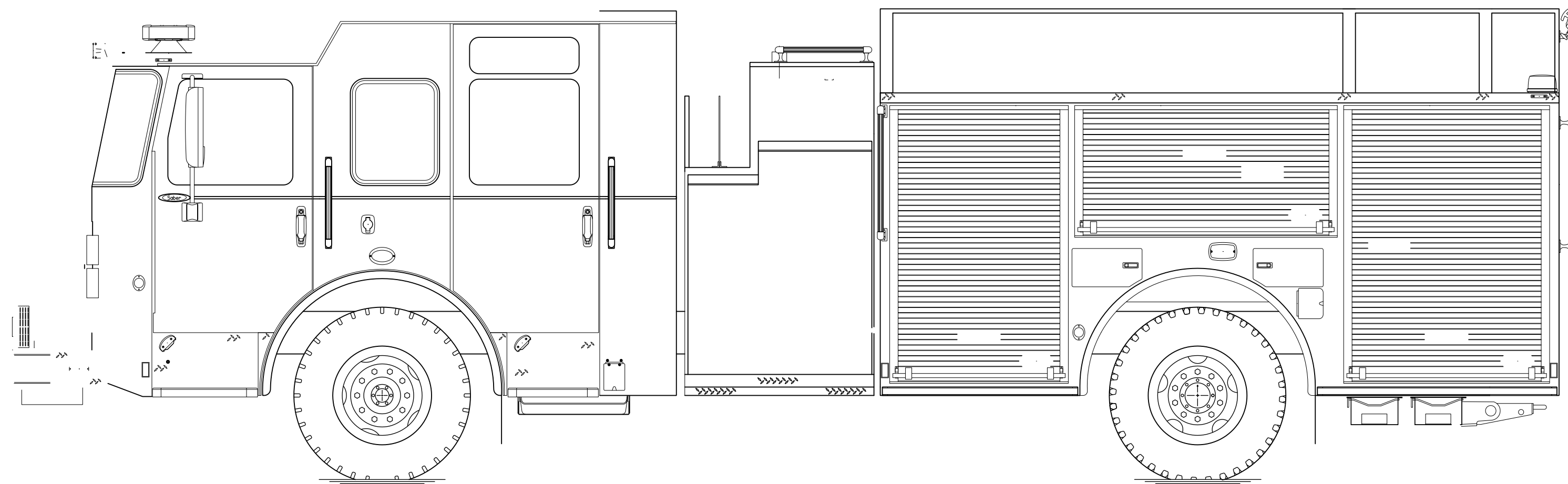
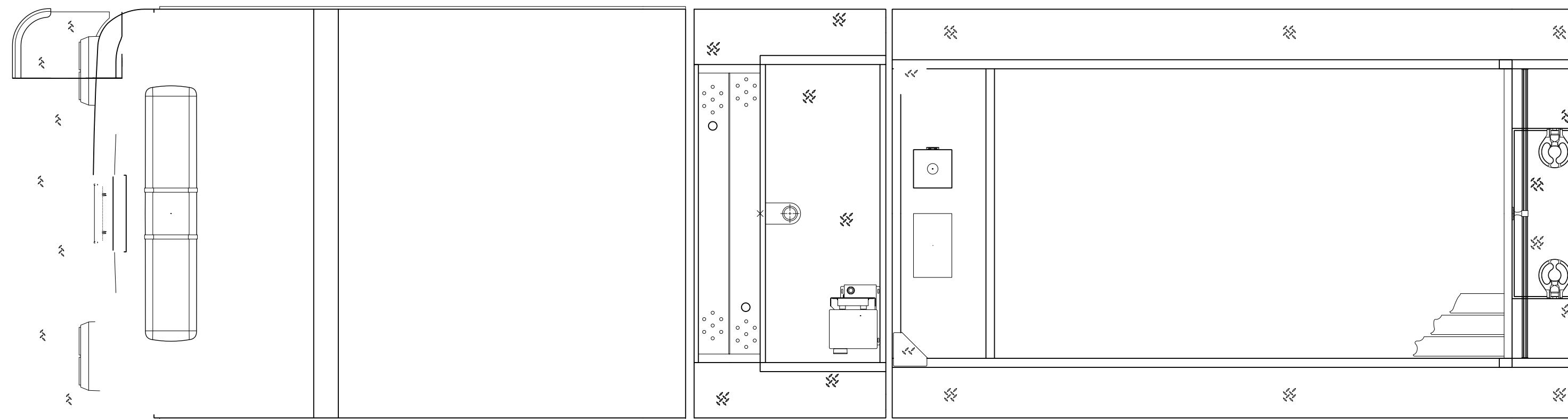
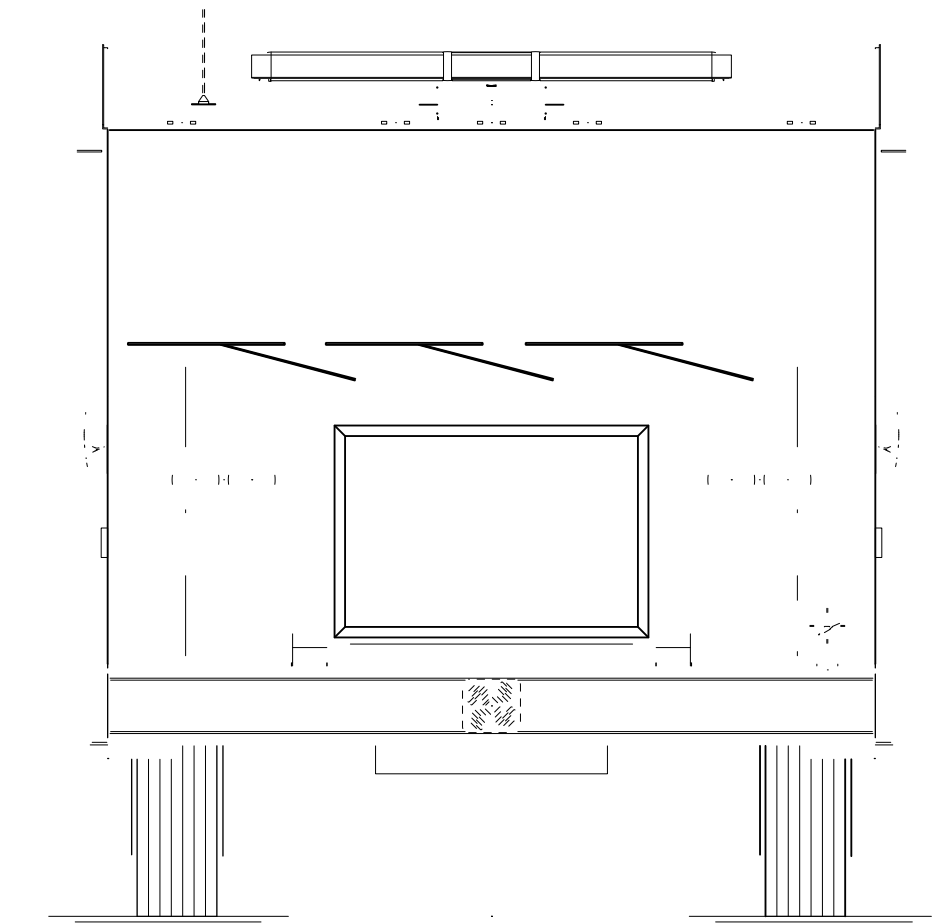
REV	DATE	BY	CH



TITLE	FOR	DWG NO.
CHASSIS DATA	SSF Demonstrator BMP Sober	
MAKE		
PIERCE		
MODEL		

NFPA 1900
(2024)
COMPLIANT

JOB NO.	SCALE	DRAWN BY	CHECKED BY	SHEET SIZE	SHEET NO.
	1:24			D	1 OF 1



NOTE
LAYOUT AND SIZES PROVIDED BY CUSTOMERS
MAY VARY DUE TO AVAILABLE WORKING SPACE.

COLOR LEGEND	
PINK	LETTERING (VINYL OR REFLECTIVE)
ORANGE	STRIPING (VINYL OR REFLECTIVE)
GREEN	GOLD LEAF
YELLOW	CUSTOMER FURNISHED PRODUCT

CUSTOMER APPROVAL

APPROVED BY: _____
DATE: _____

REV	DATE	BY	CH



TITLE LETTERING, STRIPING, AND PAINTING INSTRUCTIONS
FOR SSF Demonstrator BMP Saber
DWG NO. LSP-LP

JOB NO.	-
SCALE	1:24
DATE	
DRAWN BY	-
CHECKED BY	-
SHEET SIZE	D
SHEET NO.	1 of 1

CUSTOMER APPROVAL

APPROVED BY: _____

DATE: _____

NOTE: PLEASE REVIEW CHEVRON
COVERAGE AND DOOR MATERIAL PER
PULSE OPTIONS. NON-RELATED OR
NON-CRITICAL MINOR DEVIATIONS
MAY EXIST. — —



MANUFACTURING INC.

JOB NO.

—

SCALE

1:24

DRAWN BY

—

DATE

—

TITLE

CHEVRON DRAWING

—

FOR

—

—

DWG
NO.

CHEVRON DRAWING

SHEET SIZE

A

SHEET NO.

1 OF 1